



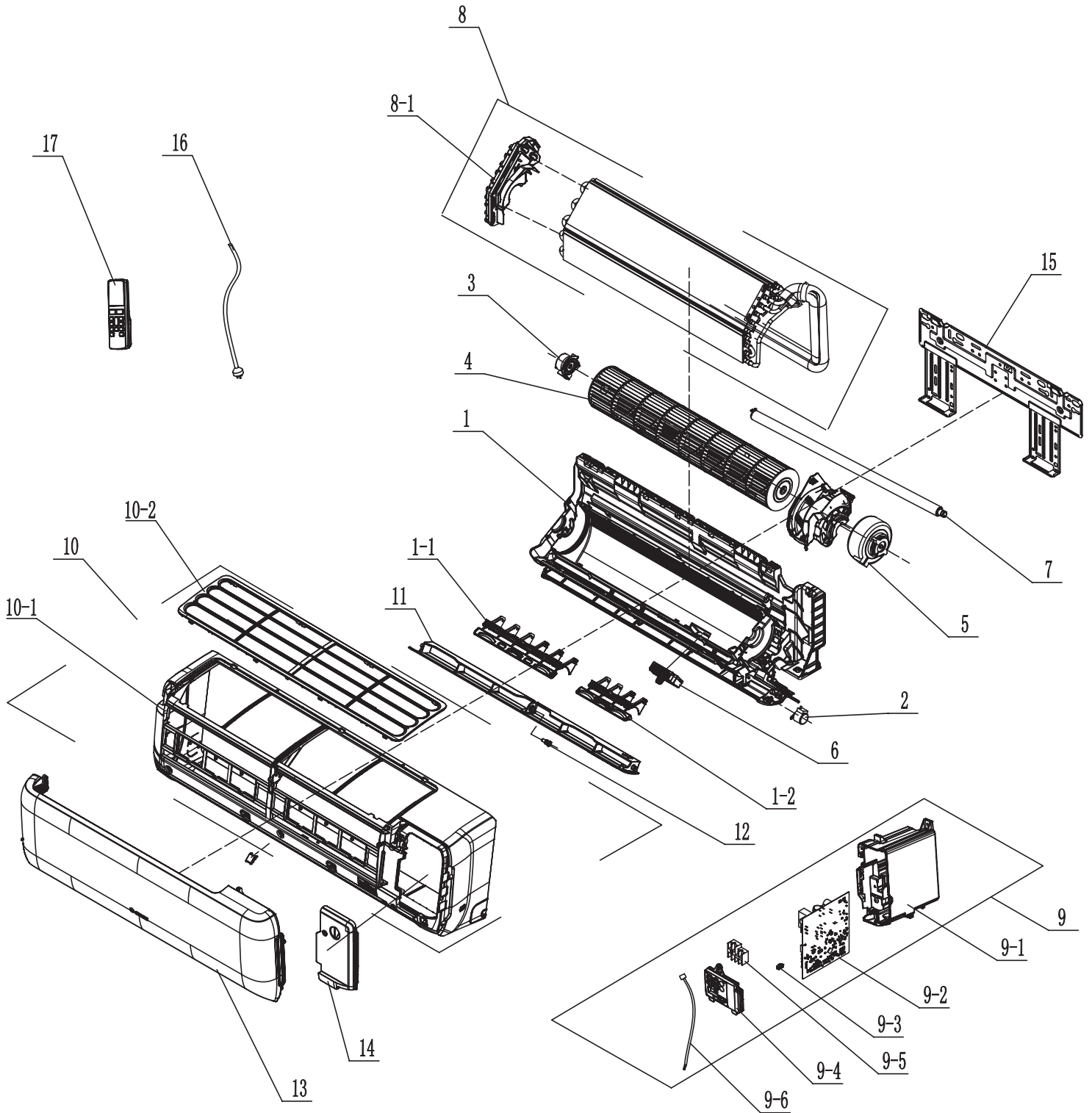
**ALTO  
HI-WALL INVERTER  
AIR CONDITIONER  
COOLING ONLY**

**SPARE PARTS LIST**

October 2024

# GWC09ATBXB-K6DNA1C/I

## Exploded View



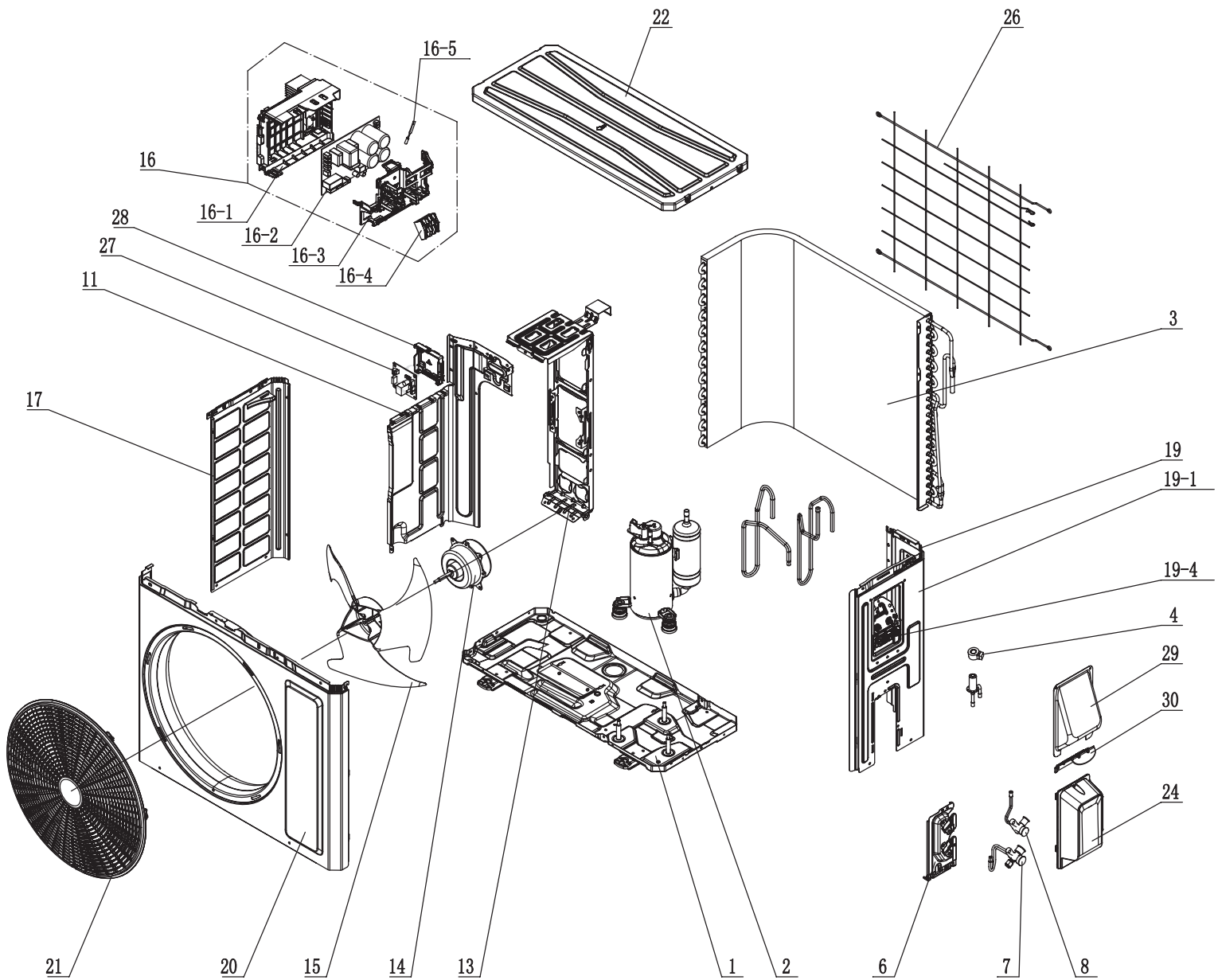
**GWC09ATBXB-K6DNA1C/I**

## Spare Parts List

No.	Part Description	Part Code
1	Rear Case Sub-Assy	20900506004001
1-1	Air Louver 1	200007060105
1-2	Air Louver 2	200007060107
2	Stepping Motor	1521210712
3	Axile Bush Sub-assy	10542047
4	Cross Flow Fan	103001060036
5	Fan Motor	150120874
6	Plasmacluster Ion	N/A
7	Drainage Hose	0523001408
8	Evaporator Assy	01100106256503P
8-1	Evaporator Support	200025060028
9	Electric Box Assy	100002081161
9-1	Electric Box	200013060123
9-2	Main Board	300002063914
9-3	Jumper	4202021901
9-4	Display Board	300001061537
9-5	Terminal Board	422000000018
9-6	Temperature Sensor	3900031302
10	Front Case Assy	209007060092
10-1	Front Case	200002060085
10-2	Filter Sub-Assy	111001060340
11	Guide Louver	200004060195
12	Axile Bush	10542036
13	Front Panel	200003060304T
14	Electric Box Cover	200082060090
15	Wall Mounting Frame	012043060020
16	Power Cord	N/A
17	Remote Controller	305001060060

# GWC09ATBXB-K6DNA1C/O

## Exploded View



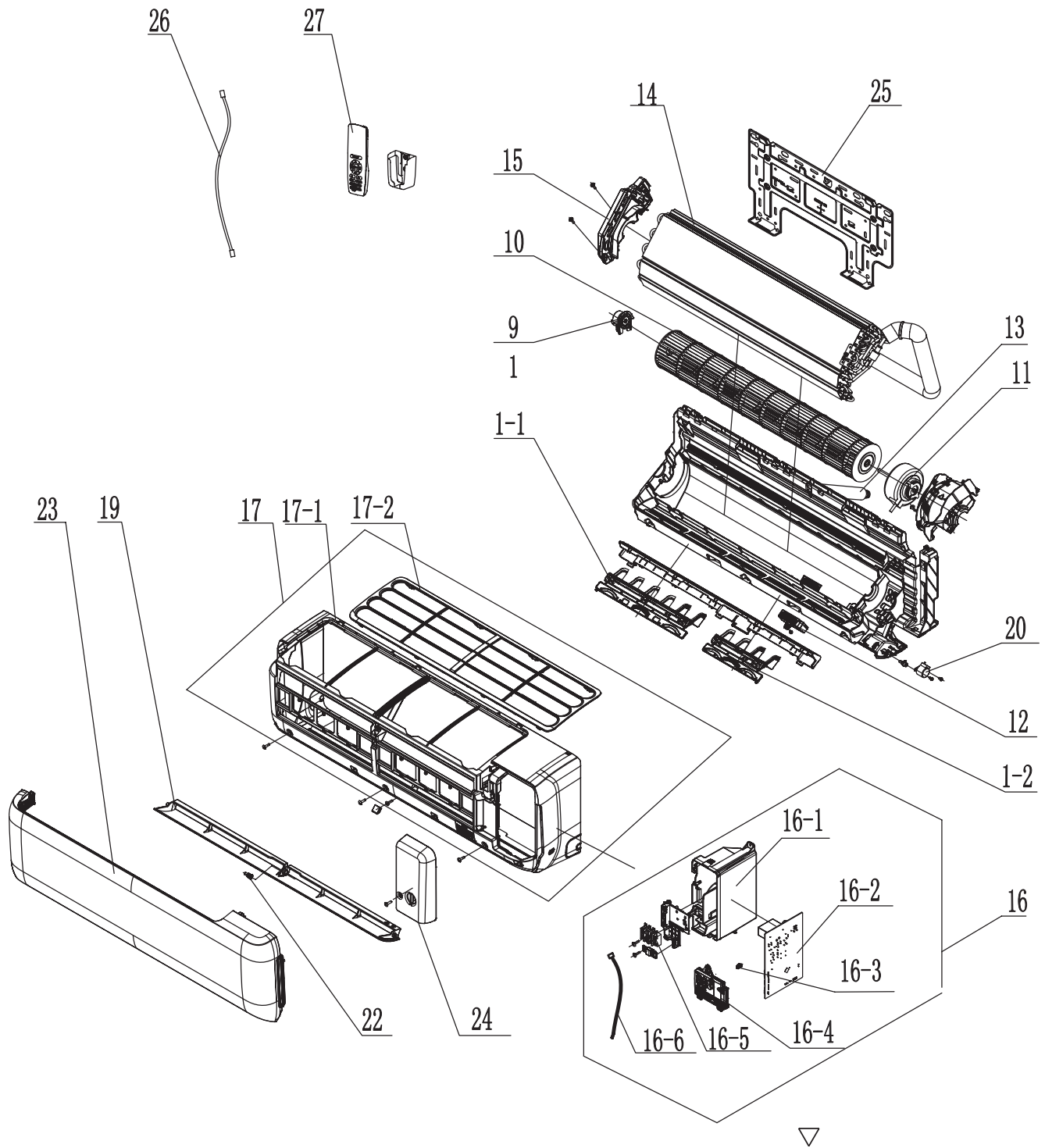


**GWH09ATBXB-K6DNA1C/O****Spare Parts List**

NO.	Part Description	Part Code
1	Chassis Sub-assy	017000060636P
2	Compressor and Fittings	009001060605
3	Condensor Assy	011002061561
4	Electric Expand Valve Fitting	N/A
6	Valve Support	012044060022P
7	Cut-off valve 3/8(N)	070001060029
8	Cut-off valve 1/4(N)	070001060022
11	Clapboard	012051060895
13	Motor Support	012048060149
14	Brushless DC Motor	150104060095
15	Axial Flow Fan	10333428
16	Electric Box Assy	100002081163
16-1	Electric Box	200013060073
16-2	Main Board	300027063599
16-3	Electric Box Cover	20008206005801
16-4	Terminal Board	422000060075
16-5	Temperature Sensor	3900030811
17	Left Side Plate	012055060397P
19	Right Side Plate Assy	000081060280
19-1	Right Side Plate	01205606038406P
19-4	Wire Clamp	200015060018
20	Cabinet	012022060012P
21	Front Grill	200057060013
22	Top Cover Assy	000097060345
24	Valve Cover	200087060004
26	Rear Grill	016001060095
27	Communication Interface Board	300014060128
28	Mounting Plate	N/A
29	Cable Cross Plate	01220906002802P
30	Cable Cross Plate	01220906002701P

# GWC12ATCXB-K6DNA1B/I

Exploded View



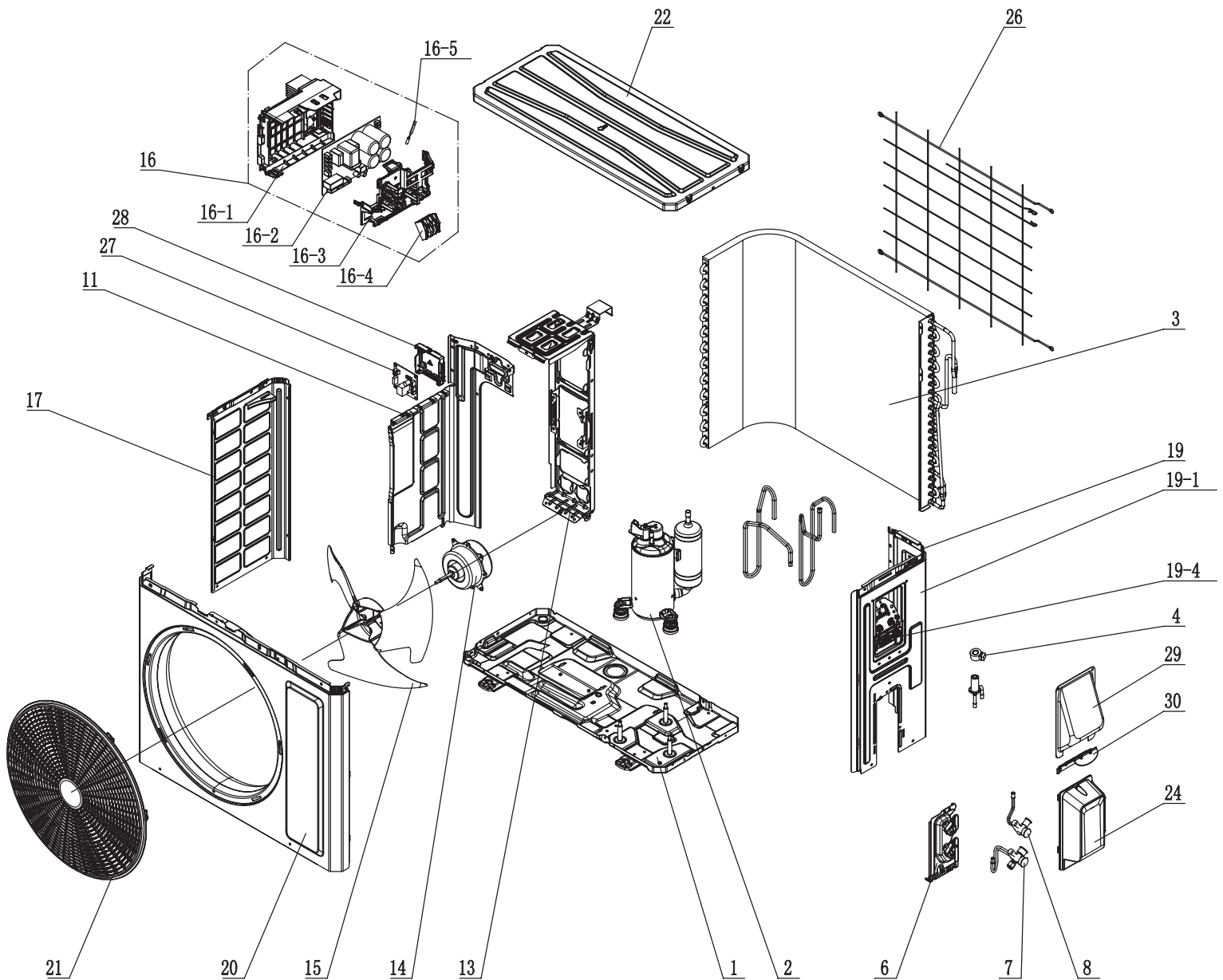
**GWC12ATCXB-K6DNA1B/I**

## Spare Parts List

NO.	Part Description	Part Code
1	Rear Case Sub-Assy	20900506003901
1-1	Air Louver (left)	200007060108
1-2	Air Louver (right)	200007060109
9	Axile Bush Sub-assy	10542047
10	Cross Flow Fan	103001060038
11	Brushless DC Motor	150104060117
12	Plasmacluster Ion	N/A
13	Drainage Hose	05230014
14	Evaporator Assy	01100106240505P
15	Evaporator Support	200025060027
16	Electric Box Assy	100002080981
16-1	Electric Box	200013060124
16-2	Main Board	300002063868
16-3	Jumper	4202021909
16-4	Display Board	300001061521
16-5	Terminal Board	422000000022
16-6	Temperature Sensor	3900031302
17	Front Case Assy	000002060324
17-1	Front Case	200002060087
17-4	Filter Sub-Assy	111001060341
19	Guide Louver	200004060197
20	Stepping Motor	1521210712
22	Axile Bush	10542036
23	Front Panel	200003060306T
24	Electric Box Cover	200082060091
25	Wall Mounting Frame	012043000008
26	Power Cord	N/A
27	Remote Control Holder	2615000701

# GWC12ATCXB-K6DNA1B/O

## Exploded View



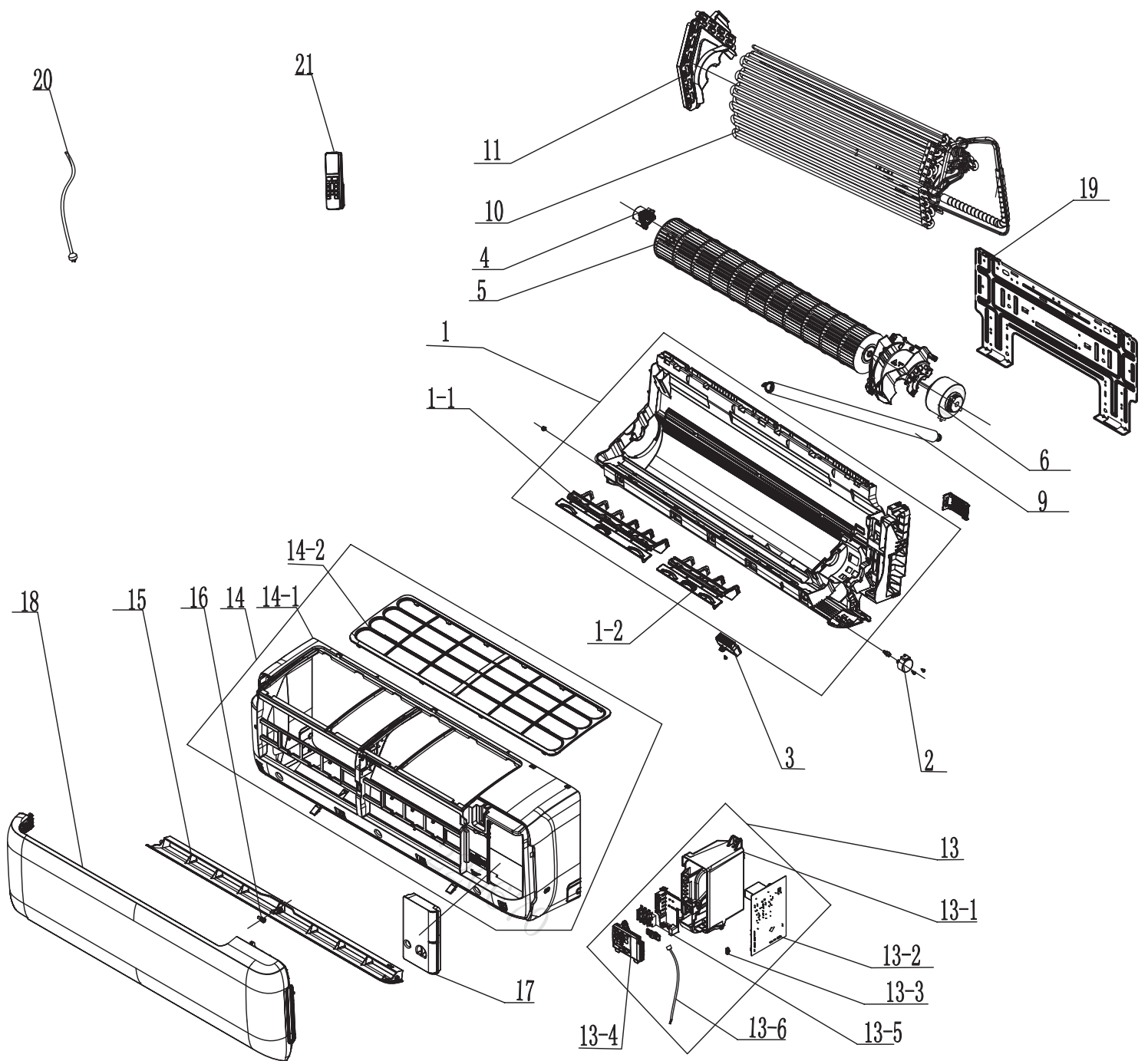
**GWC12ATCXB-K6DNA1B/O**

## Spare Parts List

NO.	Part Description	Part Code
1	Chassis Sub-assy	017000060636P
2	Compressor and Fittings	009001060648
3	Condenser Assy	01100206169001
4	Electric Expand Valve Fitting	07200206002301
6	Valve Support	012044060022P
7	Cut-off valve 3/8(N)	070001060029
8	Cut-off valve 1/4(N)	070001060022
11	Clapboard	012051060895
13	Motor Support	012048060149
14	Brushless DC Motor	150104060095
15	Axial Flow Fan	10333428
16	Electric Box Assy	100002080979
16-1	Electric Box	200013060073
16-2	Main Board	300027063551
16-3	Electric Box Cover	20008206005801
16-4	Terminal Board	422000060075
16-5	Temperature Sensor	3900030811
17	Left Side Plate	012055060397P
19	Right Side Plate Assy	000081060280
19-1	Right Side Plate	01205606038406P
19-4	Wire Clamp	200015060018
20	Cabinet	012022060012P
21	Front Grill	200057060013
22	Top Cover Assy	000097060345
24	Valve Cover	200087060004
26	Rear Grill	016001060095
27	Communication Interface Board	300014060128
28	Mounting Plate	N/A
29	Cable Cross Plate	01220906002802P
30	Cable Cross Plate	01220906002701P

# GWC18ATDXD-K6DNA1C/I

## Exploded View



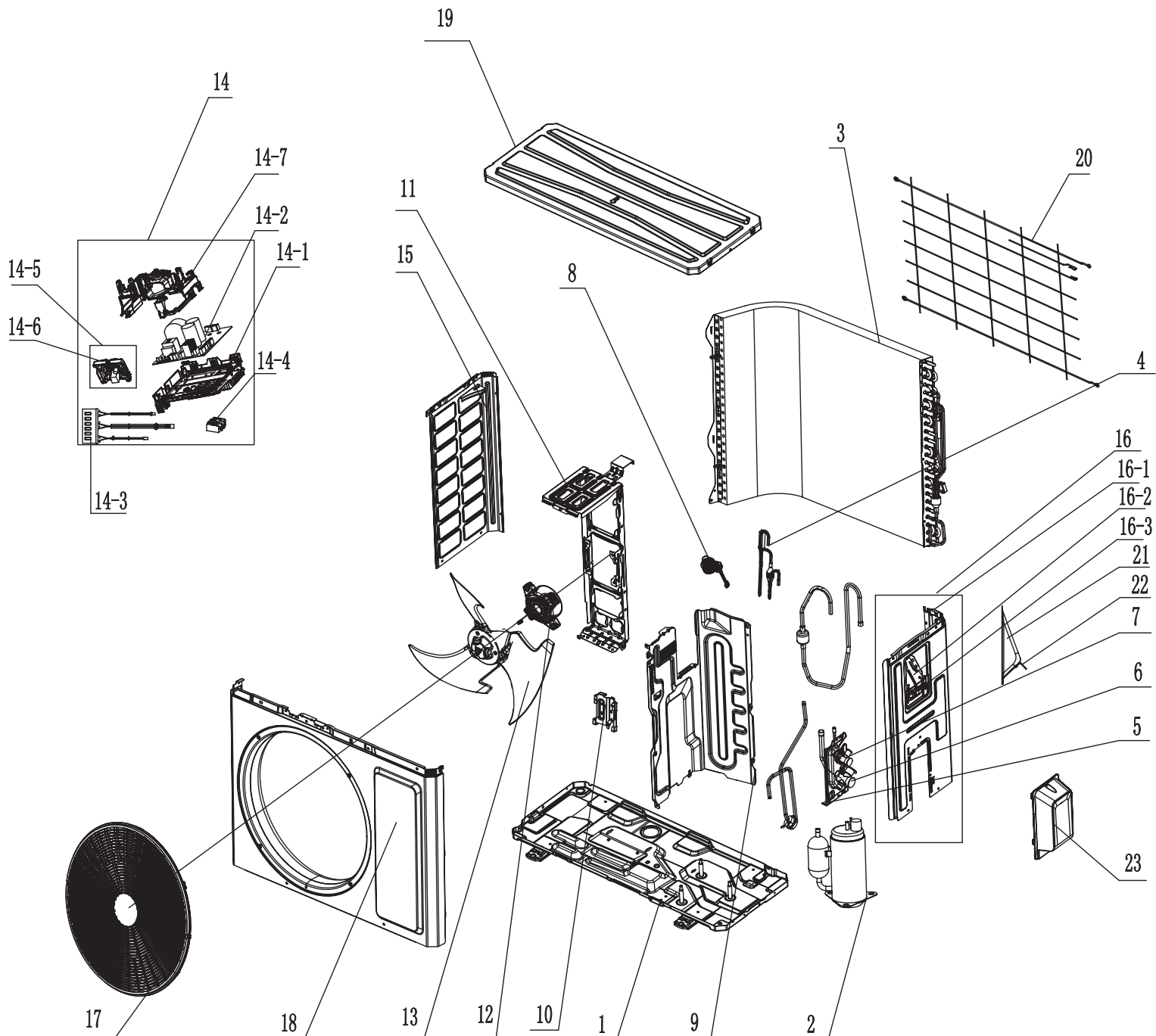
**GWC18ATDXD-K6DNA1C/I**

## Spare Parts List

NO.	Part Description	Part Code
1	Rear Case Sub-Assy	00037706007901
1-1	Air Louver (left)	200007060112
1-2	Air Louver (right)	200007060113
2	Stepping Motor	1521240212
3	Plasmacluster Ion	N/A
4	Axile Bush Sub-assy	1054204701
5	Cross Flow Fan	103001060034
6	Brushless DC Motor	15010406008801
9	Drainage Hose	05230014
10	Evaporator Assy	011001062414P
11	Evaporator supporter (D5)	200025060024
13	Electric Box Assy	100002081269
13-1	Electric Box	200013060122
13-2	Main Board	300002063952
13-3	Jumper	4202021916
13-4	Display Board	300001061521
13-5	Terminal Board	422000000022
13-6	Temperature Sensor	3900031302
14	Front Case Assy	000002060422
14-1	Front Case	200002060086
14-2	Filter Sub-Assy	111001060338
15	Guide Louver	200004060196
16	Axile Bush	10542036
17	Electric Box Cover	200082060089
18	Front Panel	200003060305T
19	Wall Mounting Frame	012043060024
20	Power Cord	N/A
21	Remote Controller	305001060060

# GWC18ATDXD-K6DNA1C/O

## Exploded View



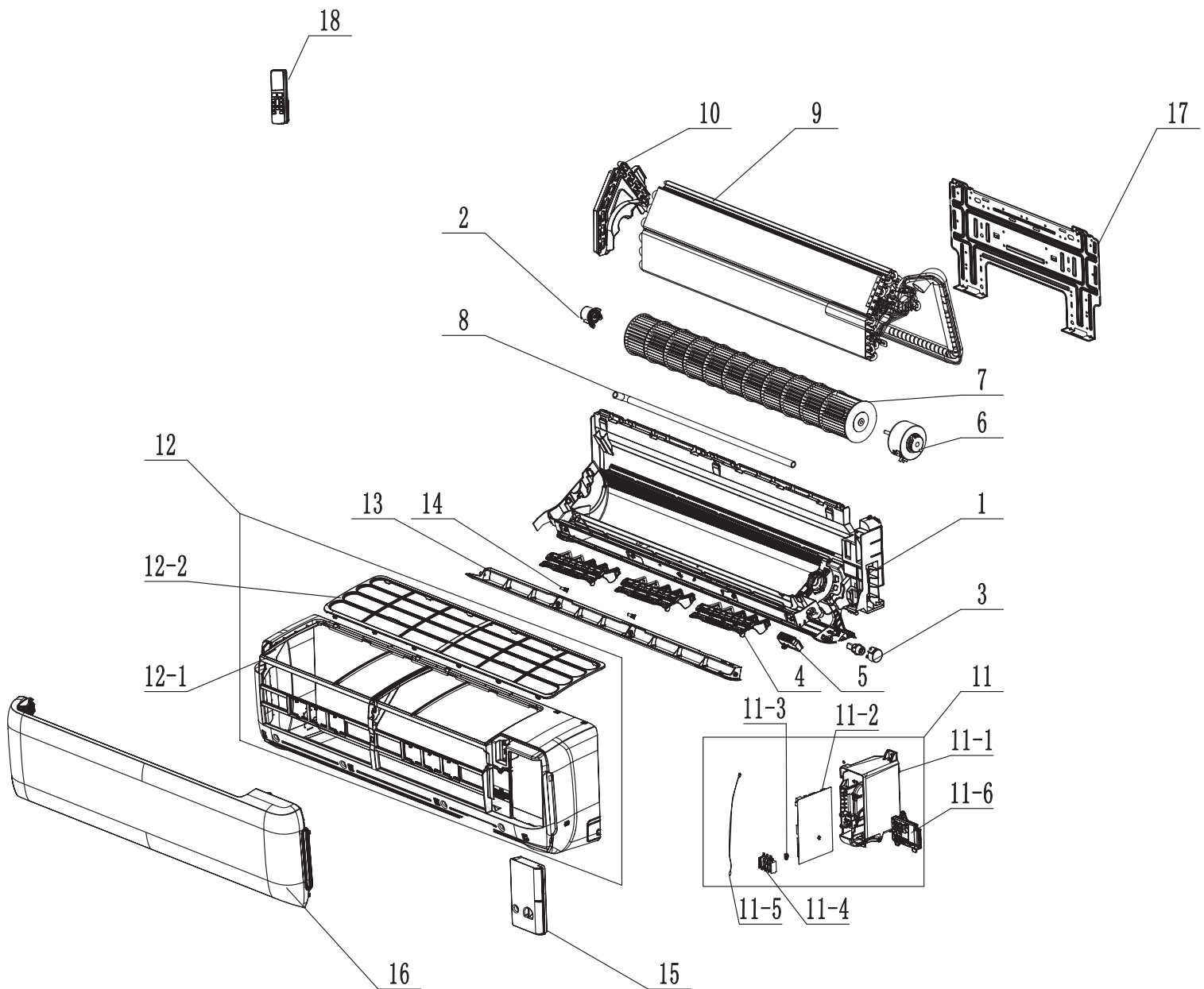


**GWC18ATDXD-K6DNA1C/O****Spare Parts List**

NO.	Part Description	Part Code
1	Chassis Sub-assy	017000060609P
2	Compressor and Fittings	009001060655
3	Condenser Assy	011002061794
4	Electric Expansion Valve Sub-Assy	30026061543
5	Valve Support	012044060022P
6	Cut-off valve 1/2(N)	070001060024
7	Cut-off valve 1/4(N)	070001060022
8	Electric Expand Valve Fitting	07200206002214
9	Clapboard	012051061151
10	Installation rack (Reactor)	12139060095
11	Motor Support	01204806014001
12	Brushless DC Motor	150104060095
13	Axial Flow Fan	103002060015
14	Electric Box Assy	100002081265
14-1	Electric Box	20001306010103
14-2	Main Board	300027063638
14-3	Temperature Sensor	3900030813
14-4	Terminal Board	422000060075
14-5	Communication Interface Board	300014060128
14-6	Mounting Plate	N/A
14-7	Controller Cover	20006606003501
15	Left Side Plate	012055060395P
16	Right Side Plate Assy	00008106028301
16-1	Right Side Plate	01205606036706P
16-2	Earthing Plate Sub-assy	017246000004
16-3	Wire Clamp	200015060019
17	Front Grill	200057060014
18	Cabinet	012022060010P
19	Top Cover Assy	000097060355
20	Rear Grill	016001060082
21	Cable Cross Plate	01220906002802P
22	Cable Cross Plate	01220906002701P
23	Valve Cover	200087060004

# GWC24ATEXF-K6DNA1E/I

## Exploded View

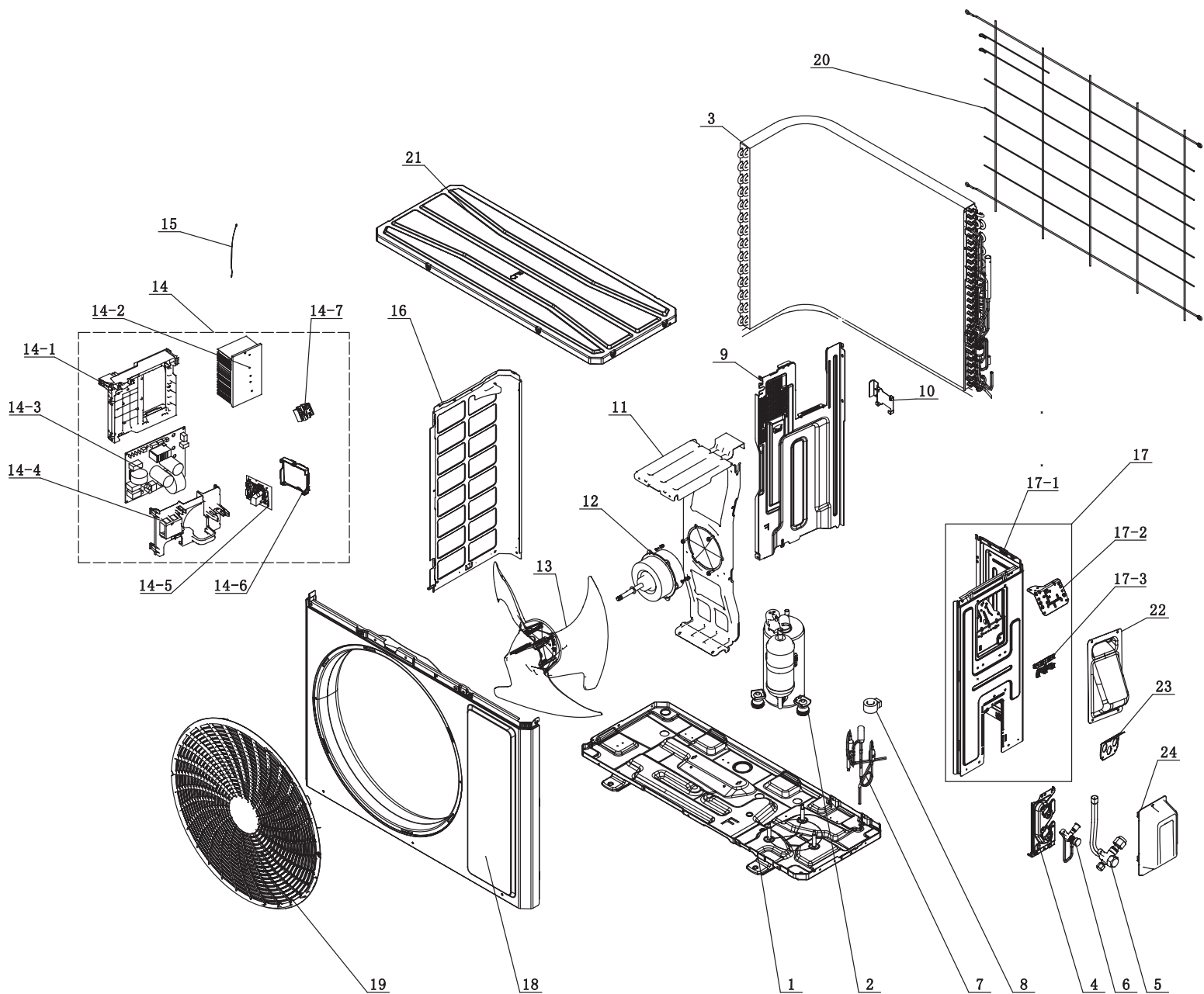


**GWC24ATEXF-K6DNA1E/I****Spare Parts List**

NO.	Part Description	Part Code
1	Rear Case Sub-Assy	000377060088
2	Axile Bush Sub-assy	1054204701
3	Stepping Motor	1521240210
4	Air Louver	200007060102
5	Plasma Bunch Ion	
6	Brushless DC Motor	15010406008801
7	Cross Flow Fan	103001060035
8	Drainage Hose	0523001405
9	Evaporator Assy	011001062812P
10	Evaporator Support (D7)	200025060025
11	Electric Box Assy	100002081241
11-1	Electric Box	200013060122
11-2	Main Board	300002063879
11-3	Jumper	4202021926
11-4	Terminal Board	422000000022
11-5	Temperature Sensor	3900031302
11-6	Display Board	300001061521
12	Front Case Sub-assy	209007060129
12-1	Front Case	200002060083
12-2	Filter Sub-Assy	111001060337
13	Guide Louver	200004060193
14	Axile Bush	10542036
15	Electric Box Cover	200082060089
16	Front Pane	200003060302T
17	Wall Mounting Frame	012043060024
18	Remote Control Holder	2615000701

# GWC24ATEXF-K6DNA1E/O

## Exploded View

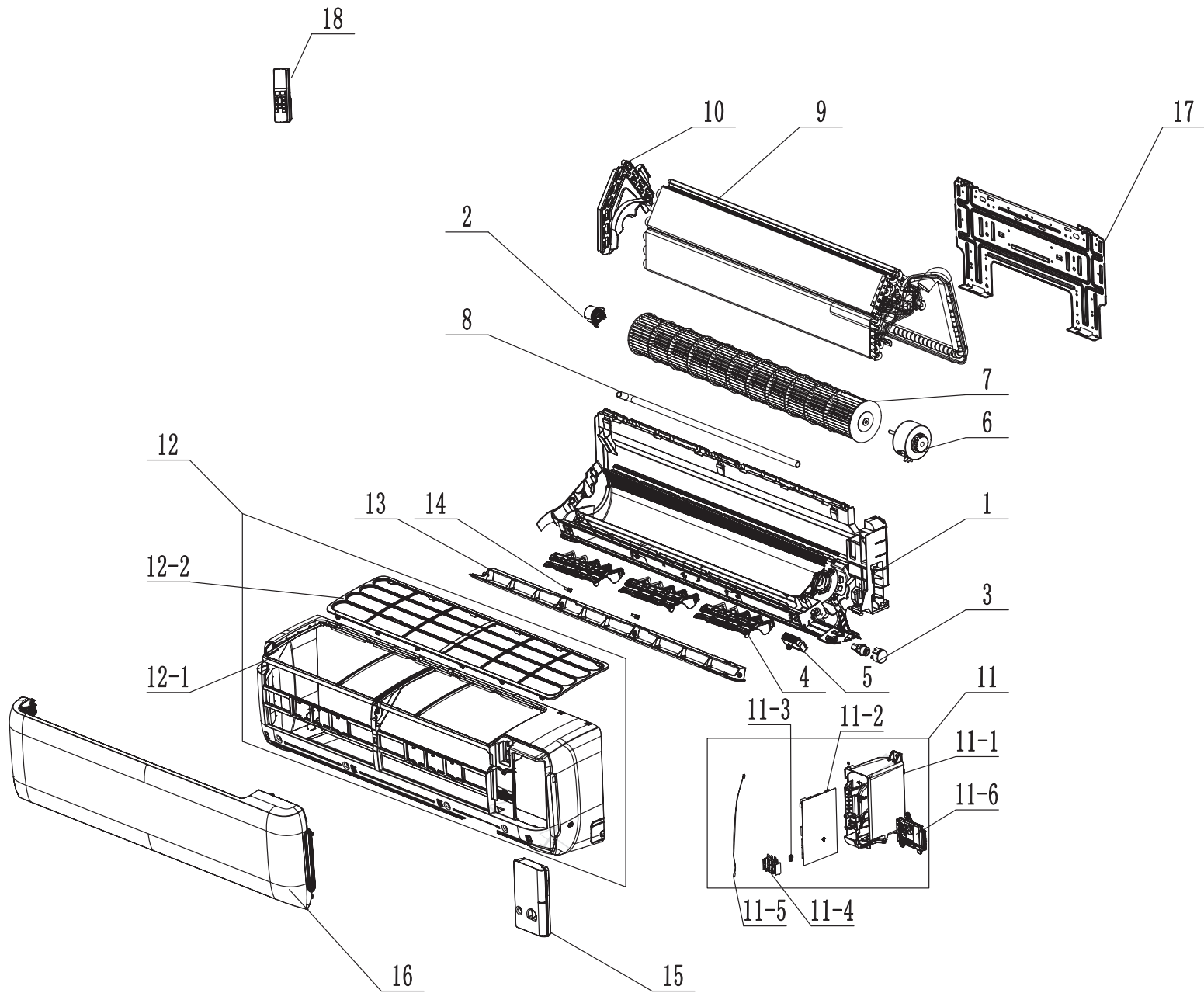


**GWC24ATEXF-K6DNA1E/O****Spare Parts List**

NO.	Part Description	Part Code
1	Chassis Sub-assy	017000060761P
2	Compressor and Fittings	009001060621ST
3	Condenser Assy	01100206214601
4	Valve Support	012044060022P
5	Cut-off valve 1/2(N)	070001060024
6	Cut-off valve 1/4(N)	070001060022
7	Electronic Expansion Valve assy	030174060331
8	Electric Expand Valve Fitting	07200206002214
9	Clapboard	012051061303
10	Mounting Rack	012139060131
11	Motor Support	012048060145
12	Brushless DC Motor	150104060103
13	Axial Flow Fan	10335008
14	Electric Box Assy	100002081242
14-1	Electric Box	20001306008501
14-2	Radiator	43003406011601
14-3	Main Board	300027063610
14-4	Communication Interface Board	300014060128
14-5	Communication Interface Board	300014060128
14-6	Mounting Plate	N/A
14-7	Terminal Board	422000060075
15	Temperature Sensor	3900030912
16	Left Side Plate	012055060393P
17	Right Side Plate Assy	00008106019309
17-1	Right Side Plate	01205606038704P
17-2	Earthing Plate Sub-assy	01724600000201
17-3	Wire Clamp	200015060020
18	Front Panel	012073061611P
19	Front Grill	200057060016
20	Rear Grill	016001060085
21	Top Cover Assy	00009706033301
22	Handle	012210060013P
23	Cable Cross Plate	012209060041P
24	Valve Cover	200087060005

# GWC28ATEXF-K6DNA1A/I

## Exploded View



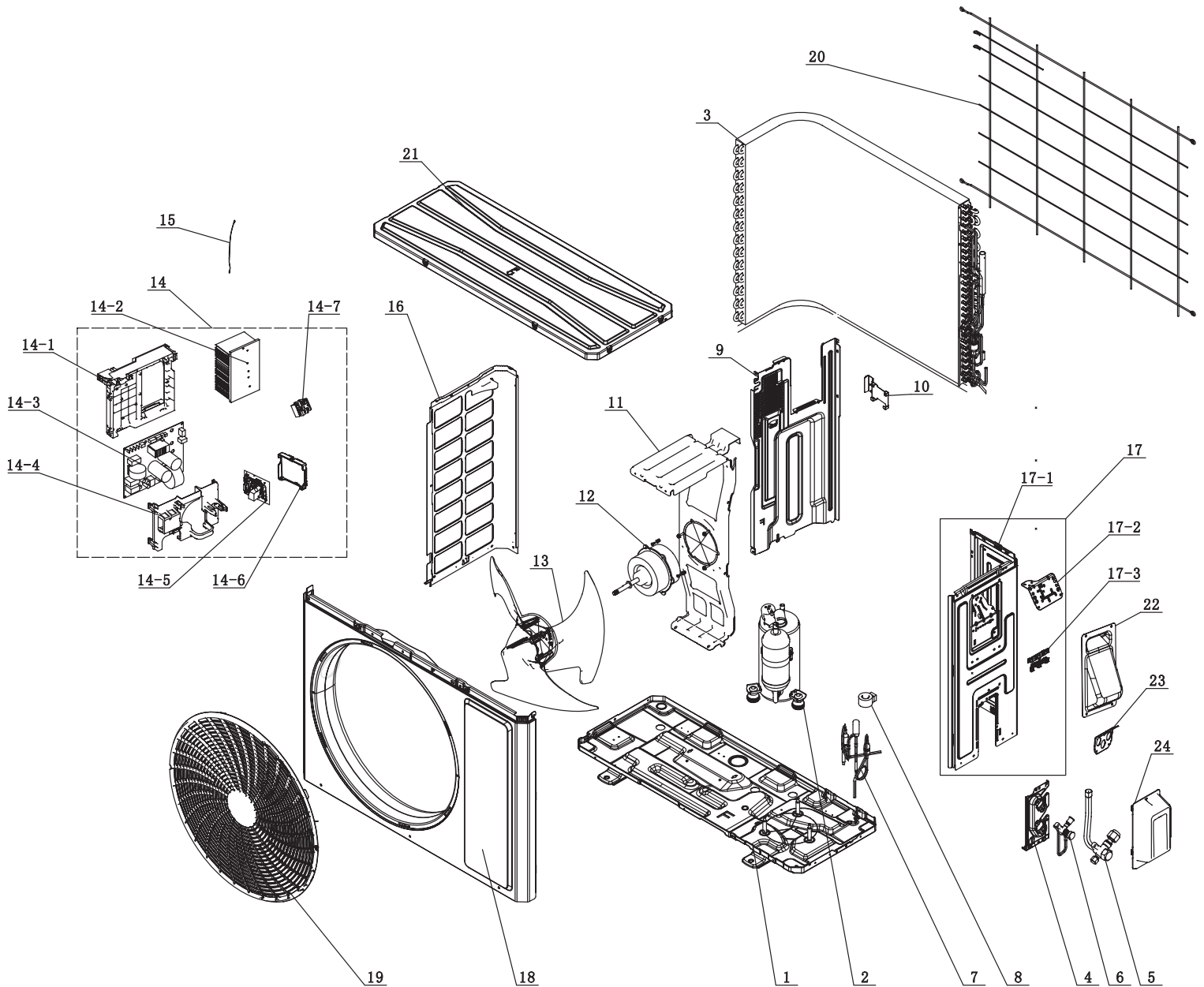
**GWC28ATEXF-K6DNA1A/I**

## Spare Parts List

NO.	Part Description	Part Code
1	Rear Case Sub-Assy	000377060088
2	Axile Bush Sub-assy	1054204701
3	Stepping Motor	1521240210
4	Air Louver	200007060102
5	Plasma Bunch Ion	N/A
6	Brushless DC Motor	150104060116
7	Cross Flow Fan	103001060035
8	Drainage Hose	0523001405
9	Evaporator Assy	01100106281201P
10	Evaporator Support (D7)	200025060025
11	Electric Box Assy	100002081159
11-1	Electric Box	200013060122
11-2	Main Board	300002063879
11-3	Jumper	4202021922
11-4	Terminal Board	422000000022
11-5	Temperature Sensor	3900031302
11-6	Display Board	300001061521
12	Front Case Sub-assy	209007060129
12-1	Front Case	200002060083
12-2	Filter Sub-Assy	111001060337
13	Guide Louver	200004060193
14	Axile Bush	10542036
15	Electric Box Cover	200082060089
16	Front Pane	200003060302
17	Wall Mounting Frame	012043060024
18	Remote Control Holder	2615000701

# GWC28ATEXF-K6DNA1A/O

## Exploded View





**GWC28ATEXF-K6DNA1A/O****Spare Parts List**

NO.	Part Description	Part Code
1	Chassis Sub-assy	01700006062501P
2	Compressor and Fittings	009001060755
3	Condenser Assy	011002061983
4	Valve Support	012044060022P
5	Cut-off valve 1/2(N)	070001060024
6	Cut-off valve 1/4(N)	070001060022
7	Electronic Expansion Valve assy	030174060328
8	Electric Expand Valve Fitting	07200206002309
9	Clapboard	012051061205
10	Mounting Rack	012139060095
11	Motor Support	012048060145
12	Brushless DC Motor	150104060103
13	Axial Flow Fan	10335262
14	Electric Box Assy	100002081158
14-1	Electric Box	20001306008501
14-2	Radiator	43003406011601
14-3	Main Board	300027063572
14-4	Electric Box Cover	20008206006801
14-5	Communication Interface Board	300014060128
14-6	Mounting Plate	N/A
14-7	Terminal Board	422000060075
15	Temperature Sensor	3900030912
16	Left Side Plate	012055060393P
17	Right Side Plate Assy	00008106021512
17-1	Right Side Plate	01205606037704P
17-2	Earthing Plate Sub-assy	01724600000201
17-3	Wire Clamp	200015060020
18	Front Panel	012073061611P
19	Front Grill	200057060016
20	Rear Grill	016001060088
21	Top Cover Assy	000097060333
22	Handle	012210060013P
23	Cable Cross Plate	012209060041P
24	Valve Cover	200087060005

It is the policy of Gree Australia to introduce continuous product improvements.  
Accordingly, specifications are subject to change without notice.  
Please consult with your dealer to confirm the specifications of the model selected.

1800 473 346  
[greeac.com.au](http://greeac.com.au)

